

# UBE E850

## UPPER BODY ERGOMETER

The FluidExercise E850 Upper Body Ergometer (UBE) is a high quality, heavy duty commercial bidirectional arm cycle for both standing and seated positions.

Resistance can be adjusted on the E850 via our patented 10 x Adjustable Fluid Resistance Twin Tank. The resistance is silky smooth at any RPM so you can choose a pace that works for you completely independent of the resistance setting. The adjustable Fluid Resistance can be changed quickly and easily from 'feather-light' to 'Olympic challenge' and operates in both the forward and reverse direction for total muscle engagement. You can even change resistance and direction on the fly.

The E850 seat can be removed entirely for fitness ball and standing access. With the ability to adjust the seat position and the crank height the ergonomics will suit most individual requirements.

The E850 UBE is the ideal inclusion for a wide variety of training and rehabilitation applications, for Cardio, for Core and for the Shoulder Girdle.

The E850 has the added advantage that it does not require an external power supply, so it can be installed on any flat surface in your fitness facility or home.



SEATED



STANDING

# FLUID EXERCISE



View the full range of Upper Body Ergometers at [FLUIDEXERCISE.COM](https://www.fluidexercise.com)

Visit [FIRSTDEGREEFITNESS.COM](https://www.firstdegreefitness.com) to view all FDF product ranges.


# UBE E850 FLUIDEXERCISE

## PRODUCT SPECIFICATIONS

|                           |   |
|---------------------------|---|
| PRODUCT MODEL NO:         | E850  |
| FLUID RESISTANCE:         | Vertical FDF Twin Tank - 10 levels  |
| MONITOR:                  | FDF  Bluetooth / Heart Rate Compatible |
| PRODUCT NET WEIGHT:       | 120.08Kg [264.73lb]   |
| PRODUCT GROSS WEIGHT:     | 141.2kg [311.22lb]  |
| DIMENSIONS:               | L 1560mm [61.42"] x W 1020mm [40.16"] x H 1400mm [55.12"]   |
| MIN ACTIVE AREA REQUIRED: | L 2410mm [94.88"] x W 1370mm [53.93"]   |
| MAX USER WEIGHT:          | 150kg [330lb]   |
| ARM CRANK HEIGHT:         | Height adjustable from 715mm to 1245mm [28.14" to 49.05"]   |
| LOW SEAT HEIGHT:          | 540mm [21.3"]   |
| COMMERCIAL WARRANTY:      | Frame 10 years - Fluid Tank 5 years<br>Mechanical and all other non wearing components - 2 years                        |



## CONSOLE FEATURES

- +  Bluetooth Connectivity
- + Auto start
- + Time - Elapsed time
- + Level - Auto to selected resistance level
- + Watt - Unit of power
- + RPM - Revolutions per minute
- + Power Graphs - 2 Options
- + Heart rate - Polar compatible
- + Calories burned per hour

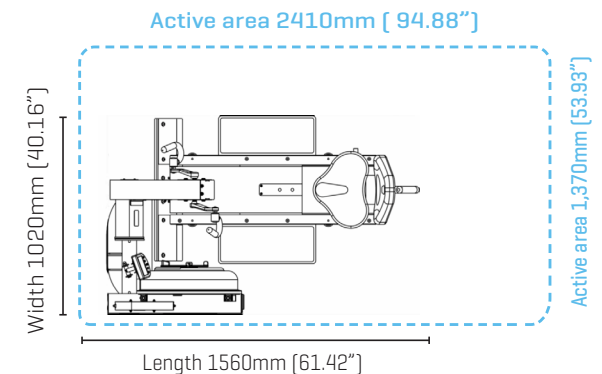


SEAT REMOVED FOR WHEELCHAIR ACCESS

### ERGONOMIC HAND GRIPS



ADJUSTABLE CRANK HEIGHT - RANGE 530mm (20.83")



## ABOUT FDF (FIRST DEGREE FITNESS)

FDF is the leader in designing and manufacturing a range of adjustable Fluid Resistance fitness machines for commercial and residential applications. At the heart of the fitness range is our unique and patented Twin Tank Fluid Resistance system. The adjustable Fluid Resistance system challenged the conventional thinking of how water could work to provide adjustable resistance rather than just a liquid mass flywheel. The patented Twin Tank system provides silky smooth resistance at any speed and is perfect for cardio training, warm-ups, cool downs, intense HIIT workouts or rehabilitation programs. FDF categorizes the range of adjustable Fluid Resistance machines under the banners, **FluidRower**, **FluidExercise** and **FluidPowerZone**, see the adjacent web links. FDF products are distributed throughout the globe and are popular in Fitness Centers, Hotels and Apartments, Sporting Clubs, Universities, First Responders, Defence Force Training Facilities and Physical Rehabilitation Clinics.

\* FDF reserves the right to modify any product design, manufacture or aesthetic without notice or consultation. Product specifications and warranties may vary from country to country.



View all product ranges at  
[FLUIDROWER.com](http://FLUIDROWER.com)

[FLUIDEXERCISE.com](http://FLUIDEXERCISE.com)

[FLUIDPOWERZONE.com](http://FLUIDPOWERZONE.com)

**FLUIDROWER**



**FLUIDPOWERZONE**



**FLUIDEXERCISE**

